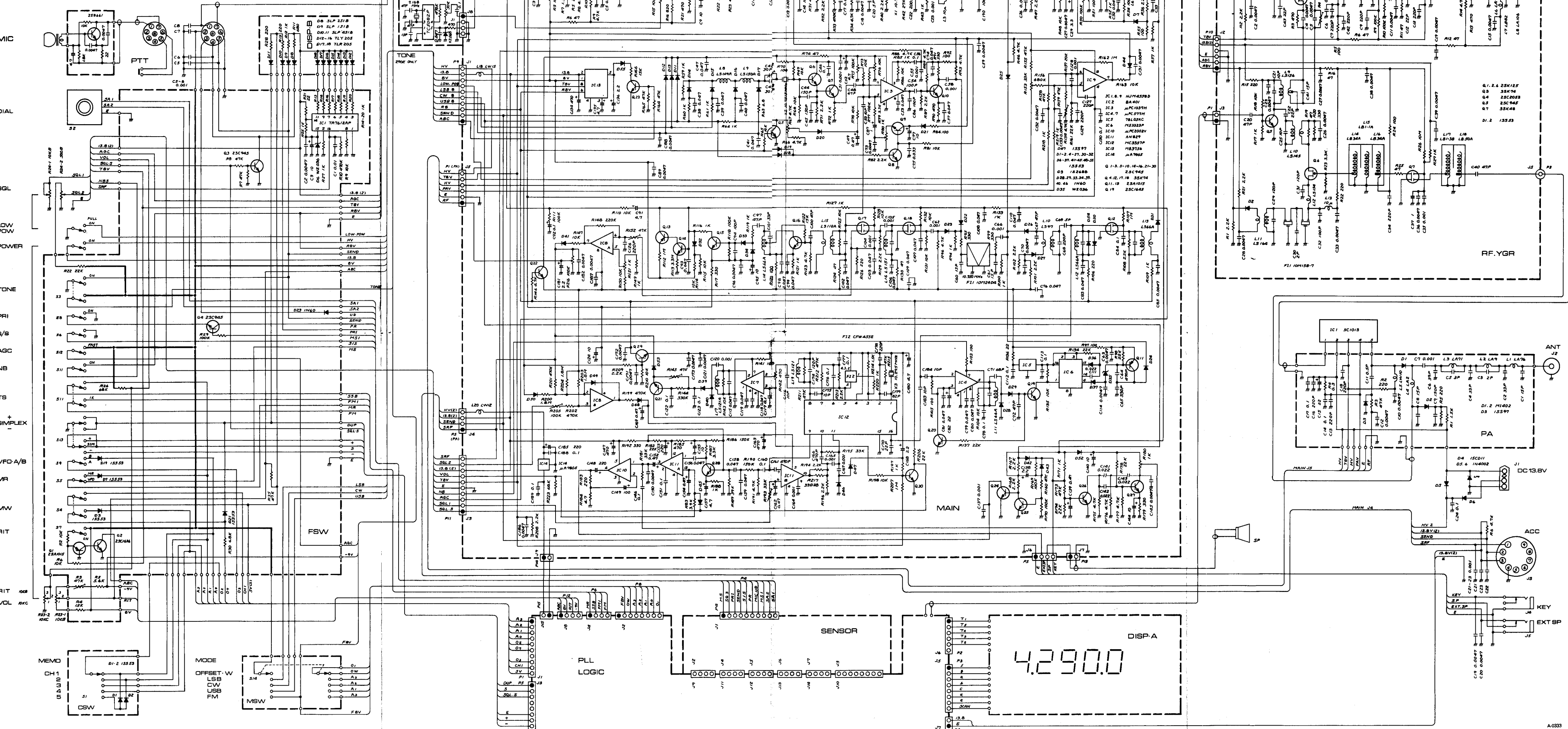


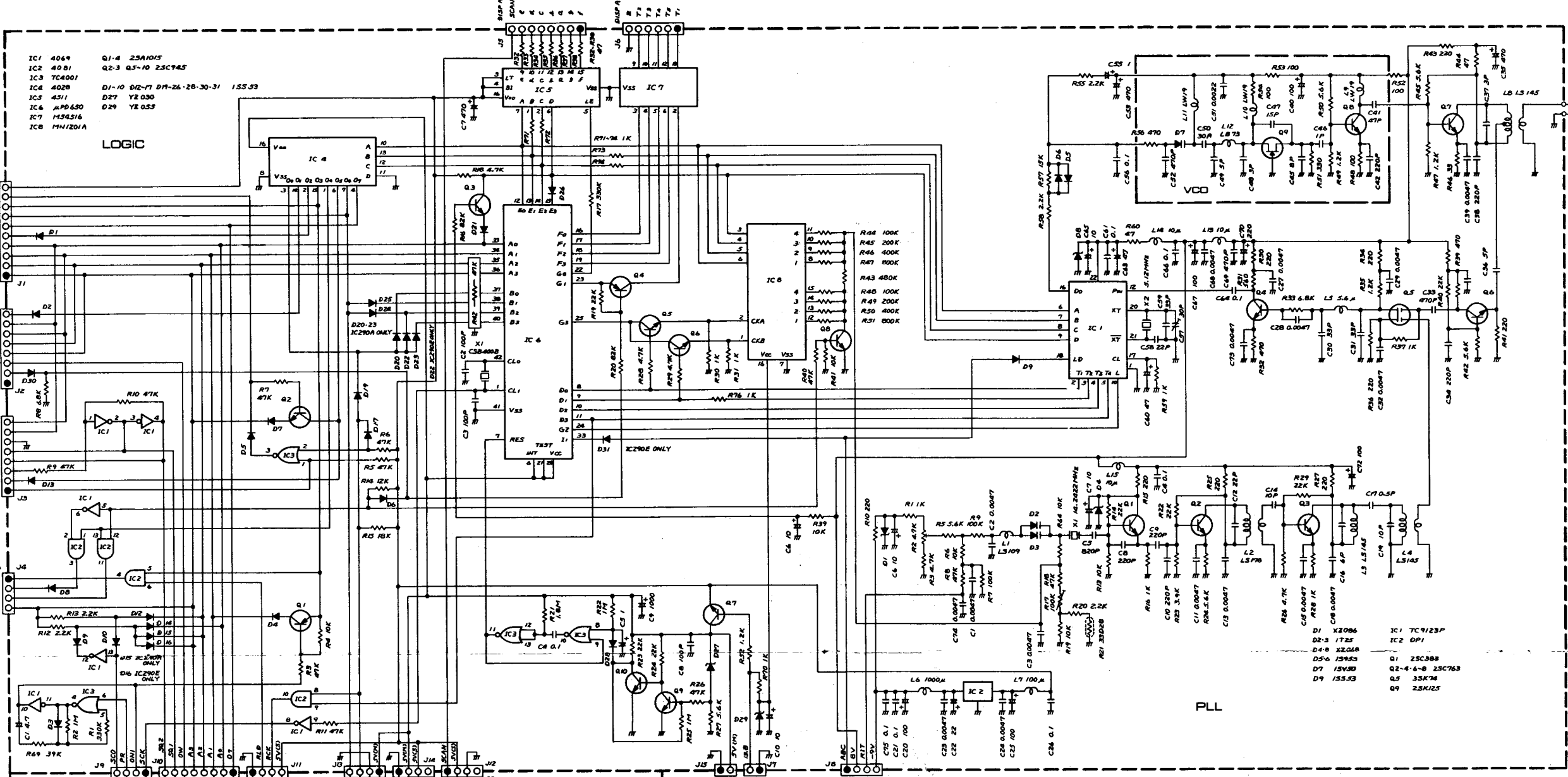
IC-290A/E SCHEMATIC DIAGRAM



IC1 4069 Q1-4 25A1015
 IC2 4081 Q2-3 Q5-10 25C745
 IC3 7C4001
 IC4 4028 D1-10 D12-17 DM-26-28-30-31 155.53
 IC5 4511 D27 Y2 030
 IC6 MPD630 D29 Y2 053
 IC7 M54516
 IC8 MN1201A

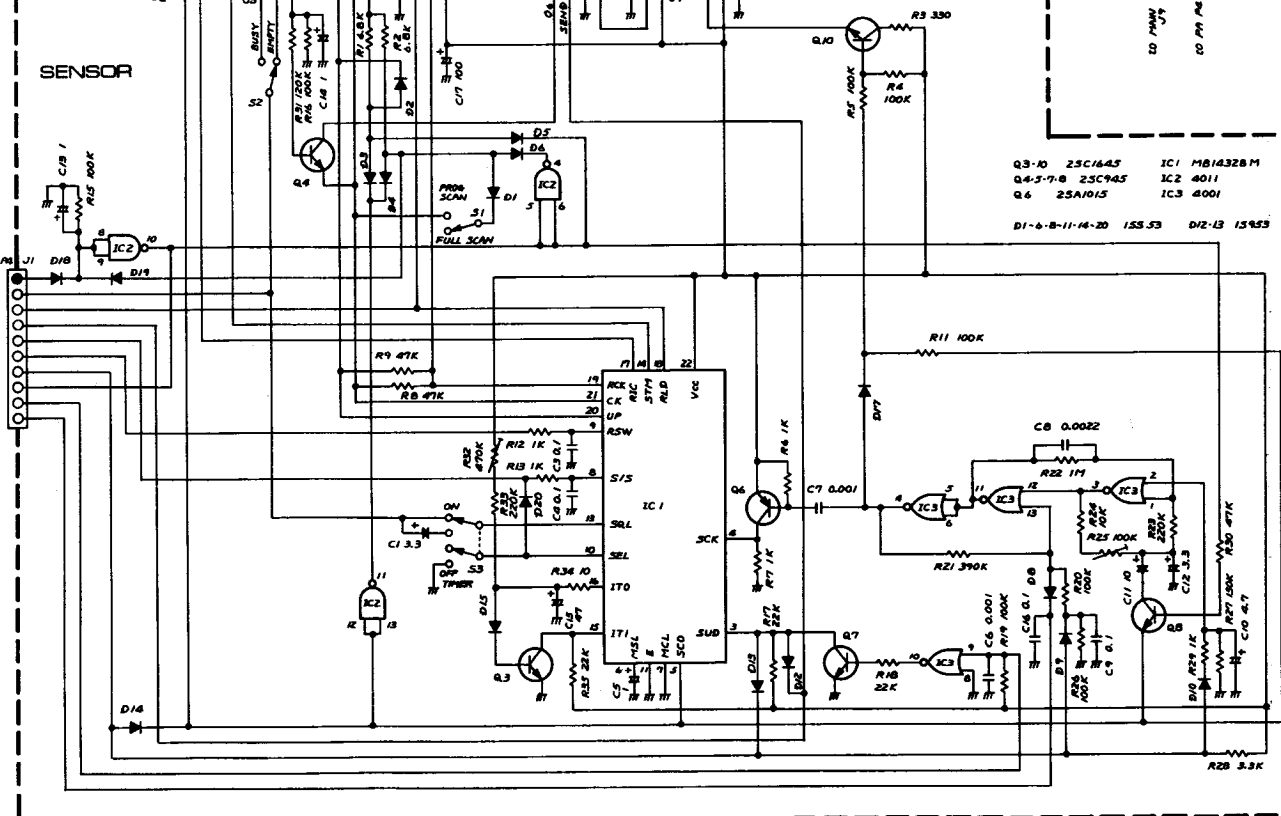
LOGIC

5V
 CH1
 O2
 O4
 O7
 O8
 A1
 A2
 A3
 FSW P1
 D1
 A0
 A1
 A2
 A3
 OW
 FBV
 MSW PB
 -
 +
 SQ2
 SQ1
 SQ3
 S
 BUP
 FSWP3
 FSW P4
 MR
 SSB
 FM1
 FM



SENSOR

10 FSW P1
 MS
 SQ3
 PR1
 SEND
 S15
 PR
 MIC
 MS1
 SA2
 SA1



Q3-10 25C1645 IC1 M814328M
 Q4-5-7-8 25C945 IC2 4011
 Q6 25A1015 IC3 4001
 D1-6-8-11-14-20 155.53 D12-13 15453

PLL

D1 X2086 IC1 7C9123P
 D2-3 1725 IC2 DP1
 D4-8 X2068
 D5-6 15453 Q1 25C988
 D7 15453 Q2-4-6-8 25C763
 D9 155.53 Q5 35K74
 Q9 25K125

P1 NP-10R13